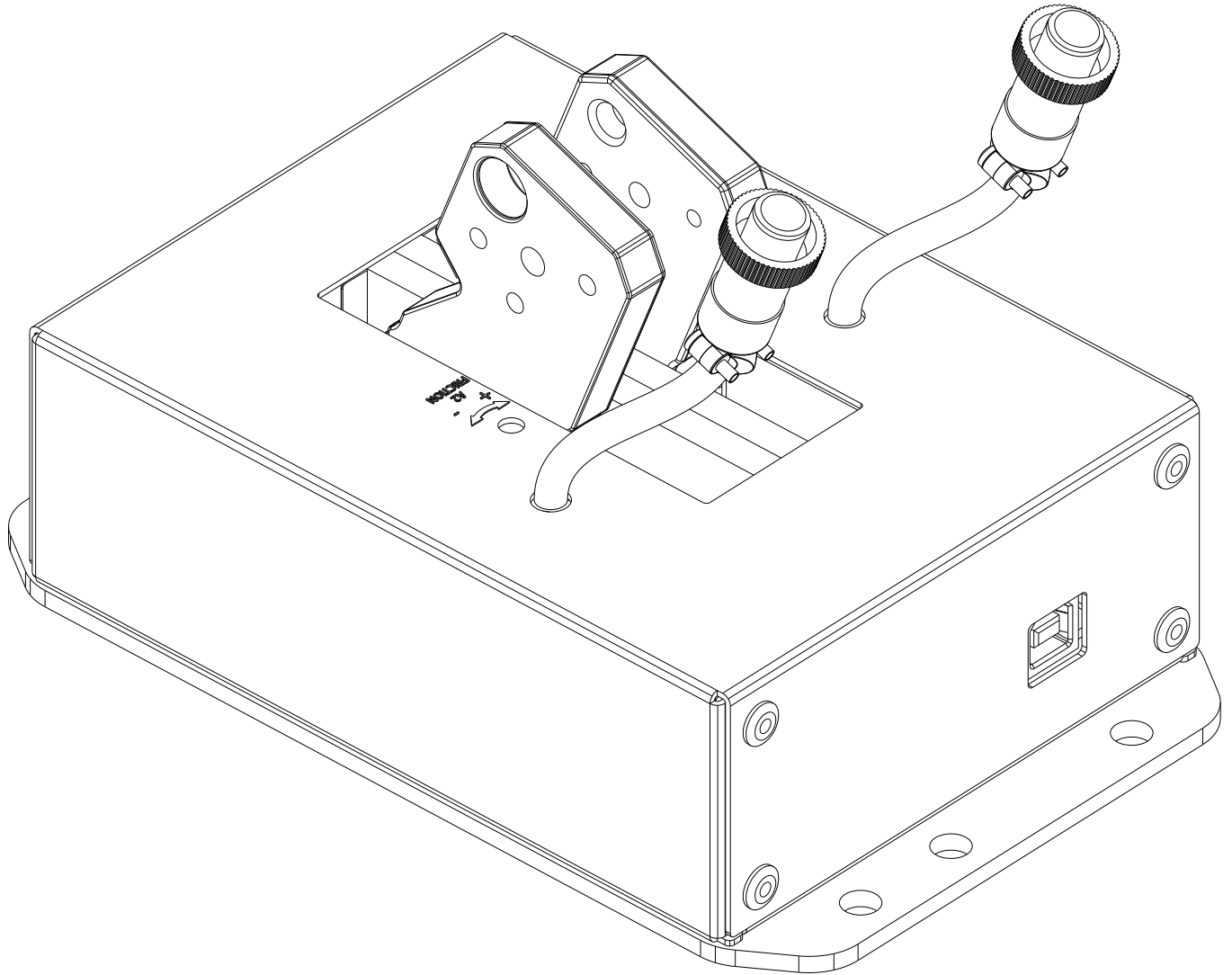


Gemini Throttle/Collective Base

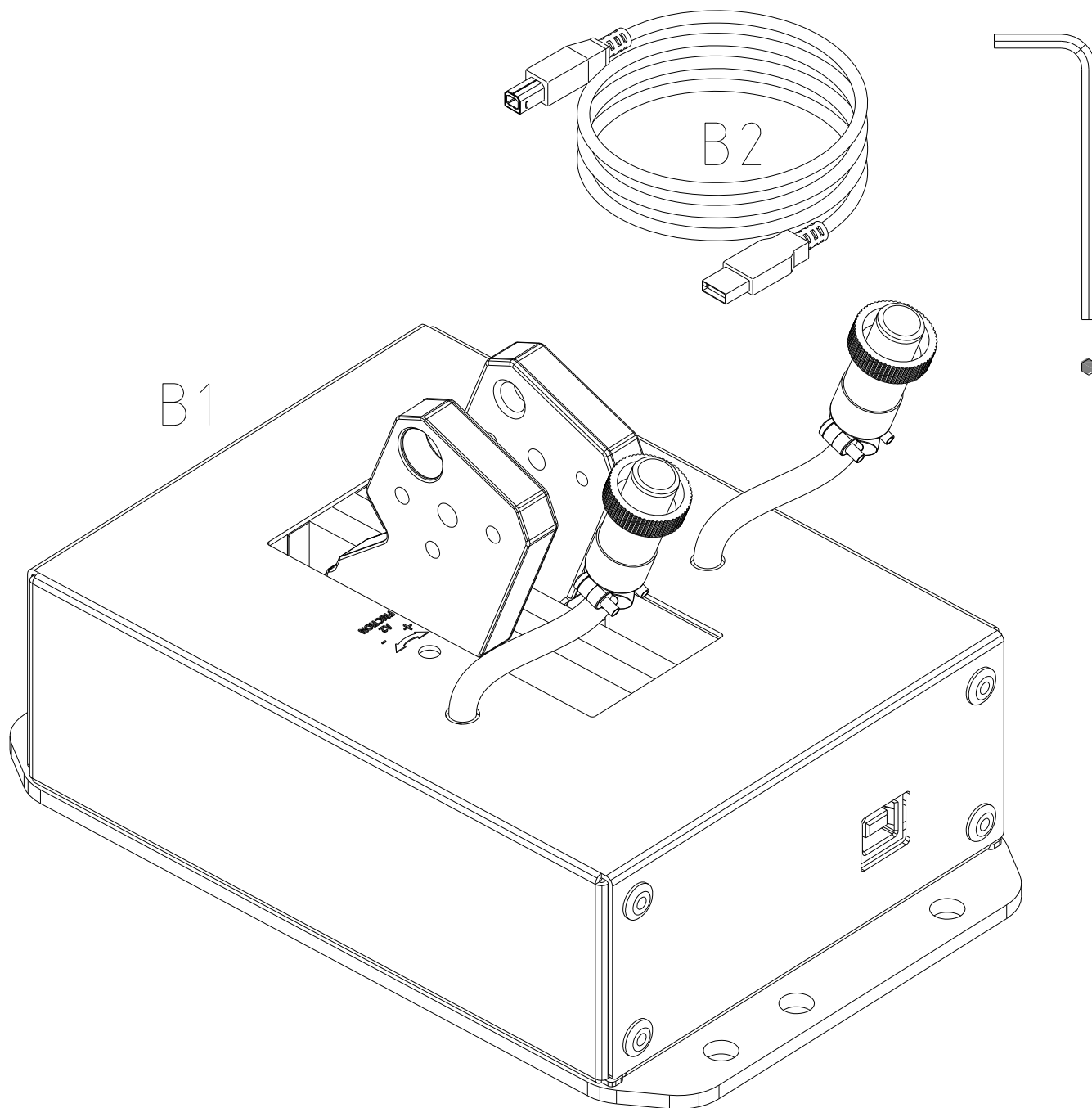
User Manual V1.0



Contents :

| | |
|--|---|
| what 's in the box..... | 2 |
| 1 Parameters..... | 2 |
| 1.1 Operational parameters | 2 |
| 1.2 Compatibility..... | 3 |
| 1.3 Dimensions | 3 |
| 1.4 Operational dimensions | 3 |
| 2 Function..... | 4 |
| 2.1 Mechanical, special function | 4 |
| 2.2 button switch and functions..... | 4 |
| 2.3 Adjustment..... | 4 |
| 3 Parts..... | 4 |
| 4 Setup/Assembly | 5 |
| 4.1 Stand assembly | 5 |
| 4.2 Gaming chair mount | 6 |
| 4.3 Assembly for home cockpit..... | 6 |
| 4.4 Stage connection | 6 |

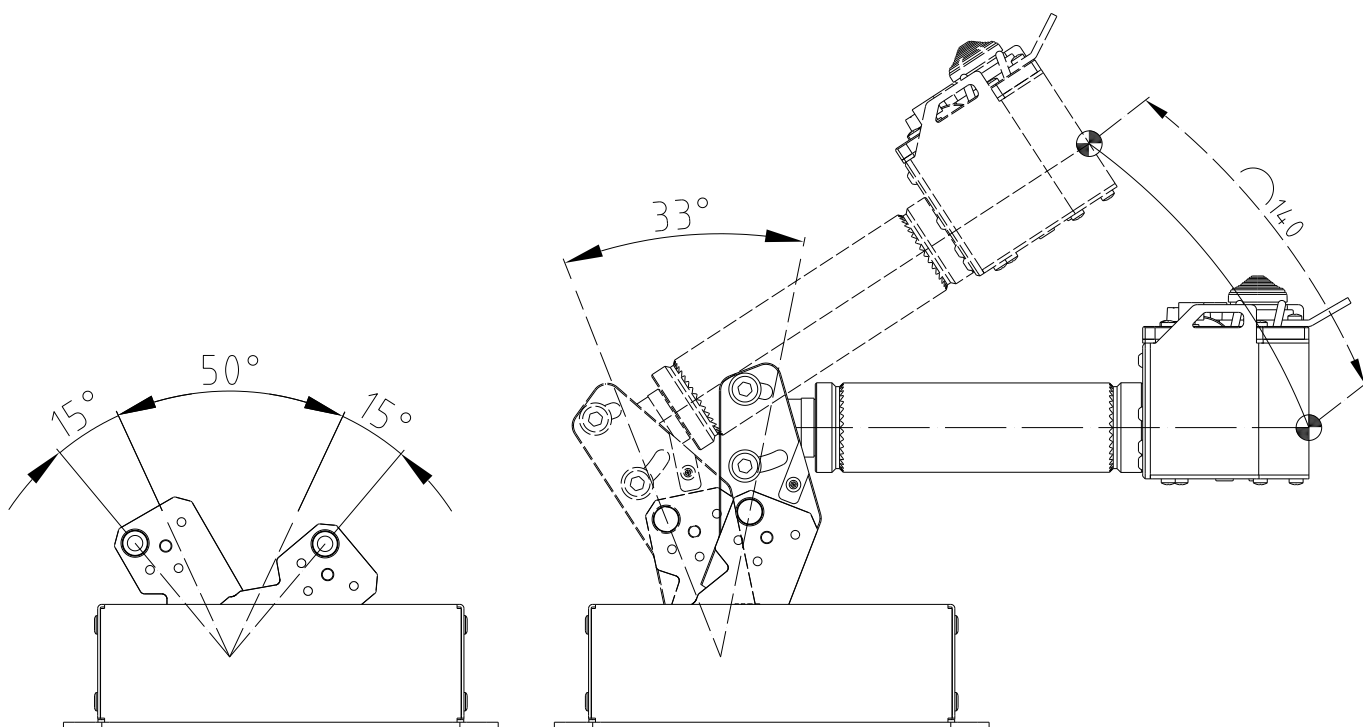
What's in the box



- | | |
|-----------------------------|---|
| ① T3 Gemini Base (B1) | 1 |
| ② USB Cable (B2) | 1 |
| ③ Tool box (1 allen wrench) | 1 |
| ④ Instructions | 1 |

1 Parameters

1.1 Operational parameter



- 1 Left/Right grip total angle 80° (Full stop 15° ,normal range 50° ,after burner 15°);
- 2 KA50 grip total angel 33° ;
- 3 Support on multiple surface/base;
- 4 Adjustable damping for vertical movment.

1.2 Compatibility

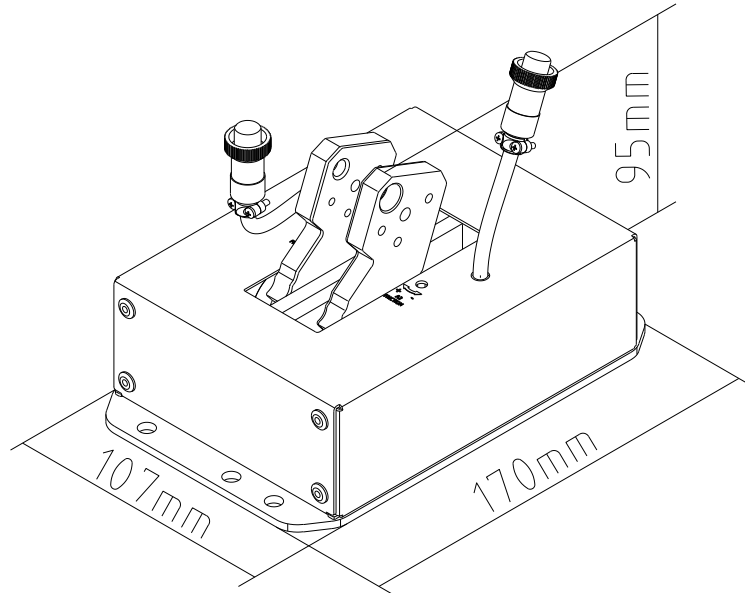
- ① Suitable for KA50 grip;
- ② Suitable for F18 throttle grip.

1.3 Dimensions

Length*width*height

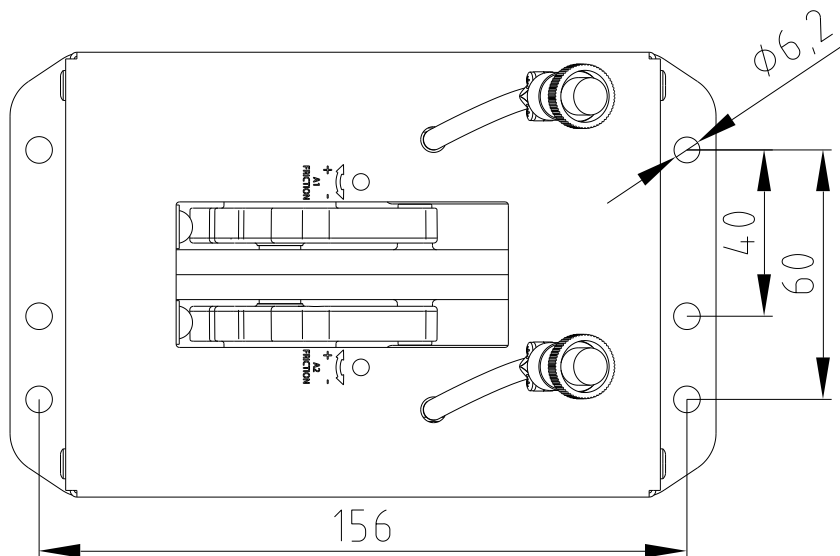
170mm*107mm*95mm;

Mass=1Kg=2.2lb.



1.4 Measurement

Bottom screw geometry 40mm*156mm/60mm*156mm.



2 Functions

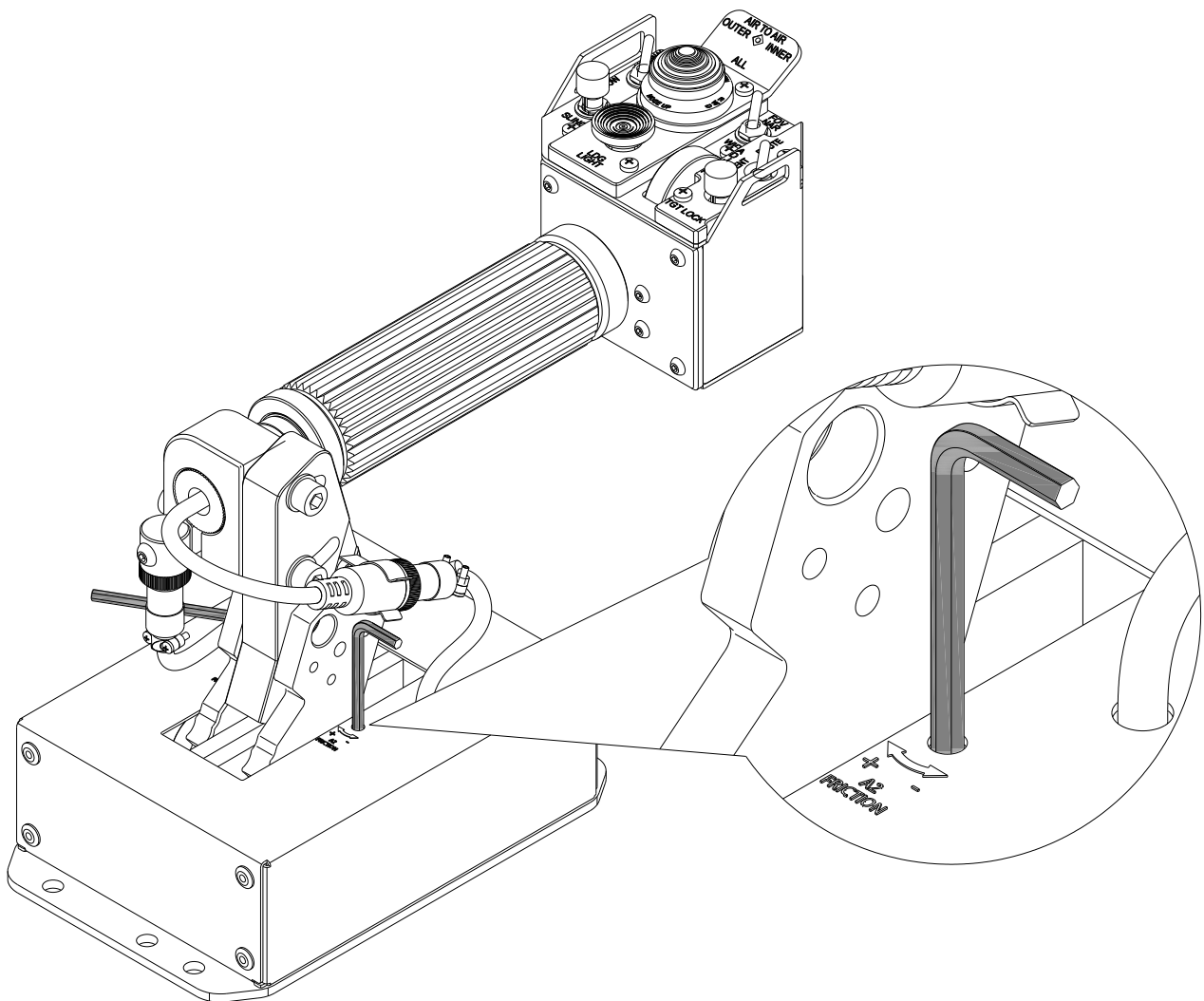
2.1 Mechanical/Special function

Adjustable damping.

2.2 Switch

/

2.3 Adjustment



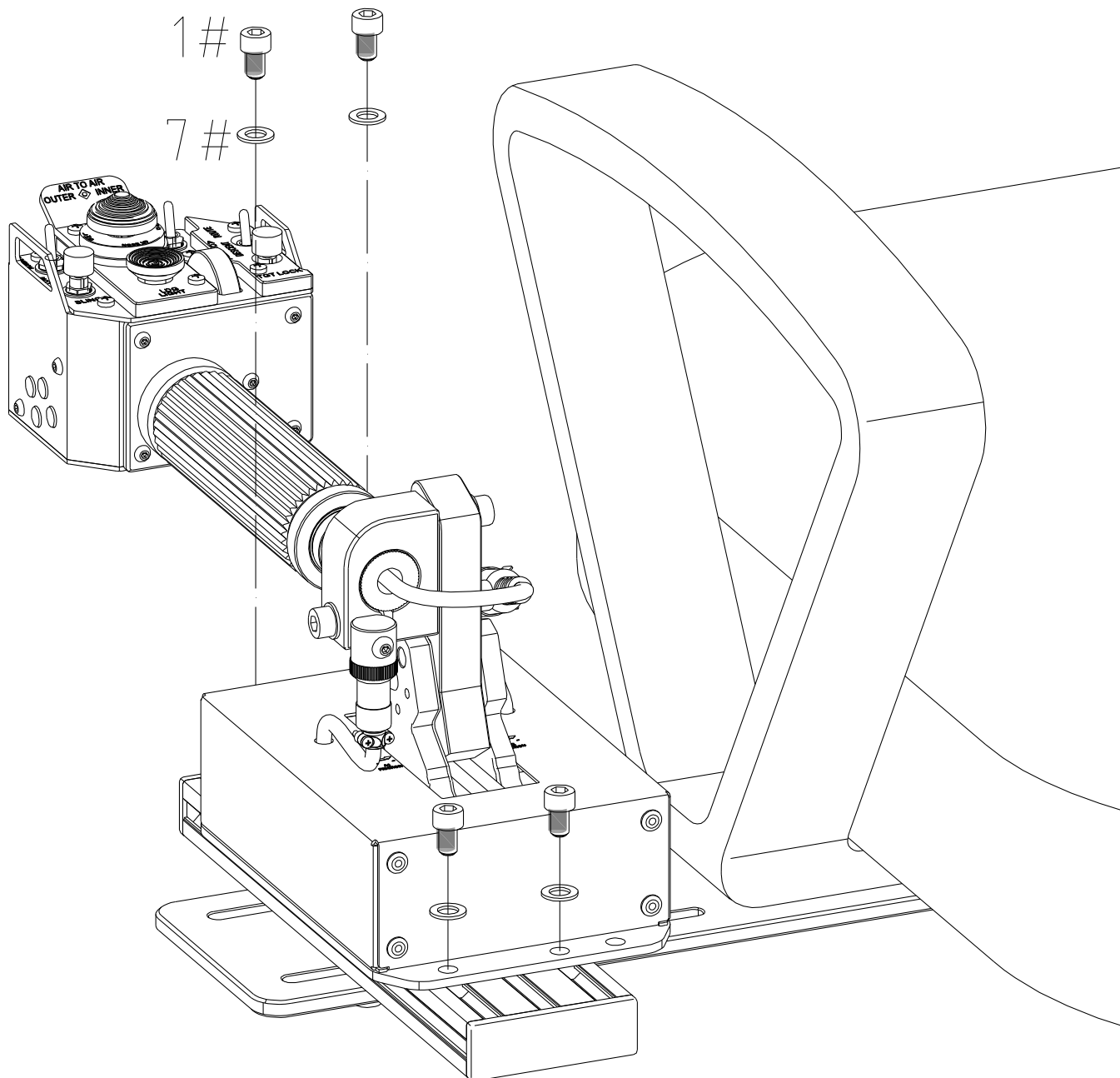
Using an allen wrench to turn the screw for damping force adjustment. CW for increase damping, CCW for reduce damping force.

3 Parts

/

4 Assembly

4.1 Assembly of the chair mount



- ① Using 4 1# screw and 7# pad, attach the T3 base into the chair mount.

4.2 Gaming chair mount

/

4.3 Home cockpit

/

4.4 Stage connect

/

* This is the final version of the manual,all update will be made online.

成都翼胜科技有限责任公司

WWW.WINWING.CN

INFO@WINWING.CN

High-tech International Enterprise Zone No.19 Building,Changshengqiao Road

1111#, Pidu District, Chengdu,China 610000